

# MAXIMATOR®

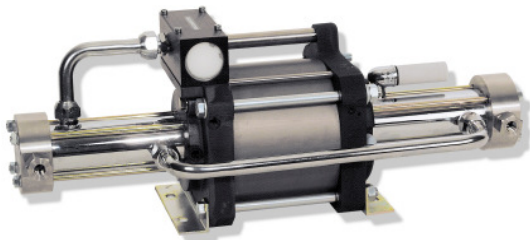
## Maximum Pressure.



High Pressure Technology • Testing Equipment  
Hydraulics • Pneumatics

### Technical Data Sheet

### Gas booster DLE 5-15



DLE 5-15  
single acting, single air drive head  
two stages

#### Technical Data:

Air drive pressure pL:	1-10 bar / 14,5 - 145psi
Pressure ratio i:	1:5/1:15
Compression ratio	1:45
Stage pressure ratio:	1:3
Minimum suction pressure pA:	2 bar
Maximum suction pressure pA:	1.6* air drive pressure pL
Maximum outlet pressure pB:	300 bar
Displacement volume/double stroke:	373 cm³
Maximum cycles:	110 / min
Stall pressure:	PB = 15* pL + 155*pA

#### Standard Connections:

Air drive:	3/4 BSP
DLE 5-15 (-GG)	Inlet/Outlet: 1/2 BSP 1/4BSP
Maximum operating temperature	100°C
Net weight:	19 kg

Pressure and flow performances, please see enclosed graph.

#### Materials of construction hp section DLE 5-15:

Standard seal package:	PTFE, Viton
Compressor head:	Aluminium anodised / 1.4305
HP cylinder:	Alu hardcoated/1.4542
HP piston:	1.4305
Fittings:	1.4305
Balls:	1.4034
Springs:	1.4310

#### Approximate Dimensions:

Length:	612 mm
Width:	181 mm
Height:	233 mm

#### Available Options:

Inert gas service (standard)	DLE 5-15 (-GG)
Oxygen service:	DLE 5-15-GG-S
CO <sub>2</sub> service:	DLE 5-15-GG-C
In-/Outlet: 9/16-18UNF	DLE 5-15-UU
In-/Outlet: 1/4NPT	DLE 5-15-NN

#### Available Accessories:

Air control units with filter pressure regulator, control pressure gauge and shut off valve:	DLE 5-15 with C2
To protect the booster against excessive outlet pressures or to limit the outlet pressure, a safety valve can be fitted to the air control unit in the air drive line:	DLE 5-15 with C2/SVair (The required outlet pressure has to be indicated.)

**Please consult factory for more information.** All technical and dimensional information subject to change. All General Terms and Conditions of sale, including limitations of our liability, apply to all products and services sold.

# MAXIMATOR®

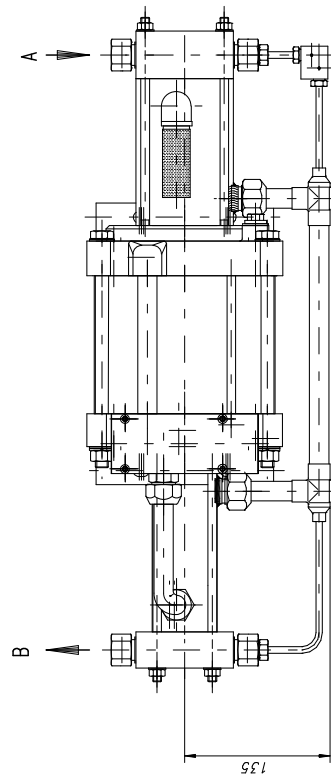
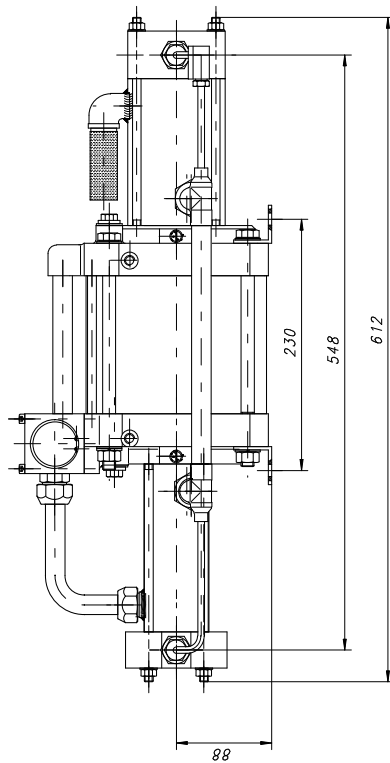
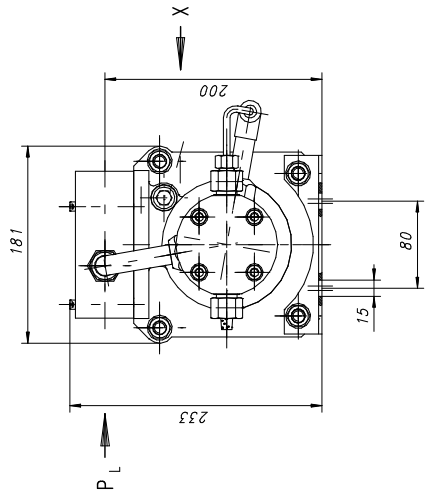
## Maximum Pressure.



High Pressure Technology • Testing Equipment  
Hydraulics • Pneumatics

### MAXIMATOR

Maßzeichnung / Dimension drawing  
Typ / type: DLE 5 - 15, DLE 5 - 30



Antriebslufteinloß...P<sub>L</sub> = G3/4 (3/4BSP)  
(air drive inlet)  
Gaseinloß.....A = G1/2 (1/2BSP) >1/2NPT<  
(gas inlet)  
Gasausloß.....B = G1/4 (1/4BSP) >9/16-18UNF<  
(gas outlet)  
Steuerluftanschluß.....X = G1/8 (1/8BSP)  
(external pilot con.)

<b>MAXIMATOR®</b> D-99734 Nordhausen / D-99748 Zorge Telefon +49 3631 9533-0 Telefax +49 3631 9533-5010 www.maximator.de info@maximator.de		Modultyp: 1:2 DLE 5 - 15(30)
MAXIMATOR - DLE doppelwirkend / einstufig (Gründungsmodell) (Druck) (32.0.) (Druck) (16.00.176)		Zeichnung: 1:2 Blatt: 1 von 1 Datum: 01.10.2012 Gezeichnet: [Name] Geprüft: [Name] Freigegeben: [Name]

# MAXIMATOR®

## Maximum Pressure.



High Pressure Technology • Testing Equipment  
Hydraulics • Pneumatics

